

BALL VALVE – SANDWICH CONSTRUCTION- DN80 (3") – PPGF

Conform to the 2014/68/EU Directive



DN80 - PPGF

MAIN FEATURES

- 3-Piece construction Ball Valve.
- Full Bore.
- Color Handle indicating type of Seals (Red = EPDM, Green = FPM, Blue = FEP/FFPM)
- Inner Shape promoting flow and limiting retention zones.

STANDARDS & APPROVALS



DGS/SD7A N°571 : Circular on the terms and conditions for the verification of the sanitary conformity of the constituent materials of accessories or subassembly accessories, consisting of organic elements in contact with water intended for human consumption (Food Grade Approval)



NR320 : Certification scheme of materials and equipment for the classification of marine units

Les descriptions et caractéristiques figurant sur ce document sont données uniquement à titre d'information et non d'engagement contractuel. SAFI se réserve le droit d'effectuer sans préavis, toute modification.
SAFI has a policy of continuously developing its product range and the above data is subject to change without prior notification.

Die Beschreibungen und Daten, die sich auf diesem Dokument befinden, sind rein informativ und unverbindlich. SAFI behält sich vor, ohne Vorankündigung Änderungen vorzunehmen, die als technisch notwendig erachtet werden.
Las descripciones y características que figuran en este documento son indicativas. En ningún caso son contractuales. SAFI se reserva el derecho sin previo aviso de efectuar cualquier modificación.

SAFI

Av. Jacques Moison – BP 1
26770 TAULIGNAN
FRANCE
Tél.: (+33) 4 75 53 56 29
Fax : (+33) 4 75 53 62 78
info@safi-valves.com

SAFI Limited

35 Holton Road
Holton Heath Trading Park
POOLE Dorset - BH16 6LT
UNITED KINGDOM
Tél.: (+44) 1202 624618
Fax : (+44) 1202 628500
sales@safi-valves.com

SAFI Deutschland

Kunststoffarmaturen
Vertriebs GmbH
Jahnstrasse 29
64319 PFUNGSTADT
DEUTSCHLAND
Tél. : (+49) 61 57 81 919
Fax : (+49) 61 57 82 025
info-deutschland@safi-valves.com

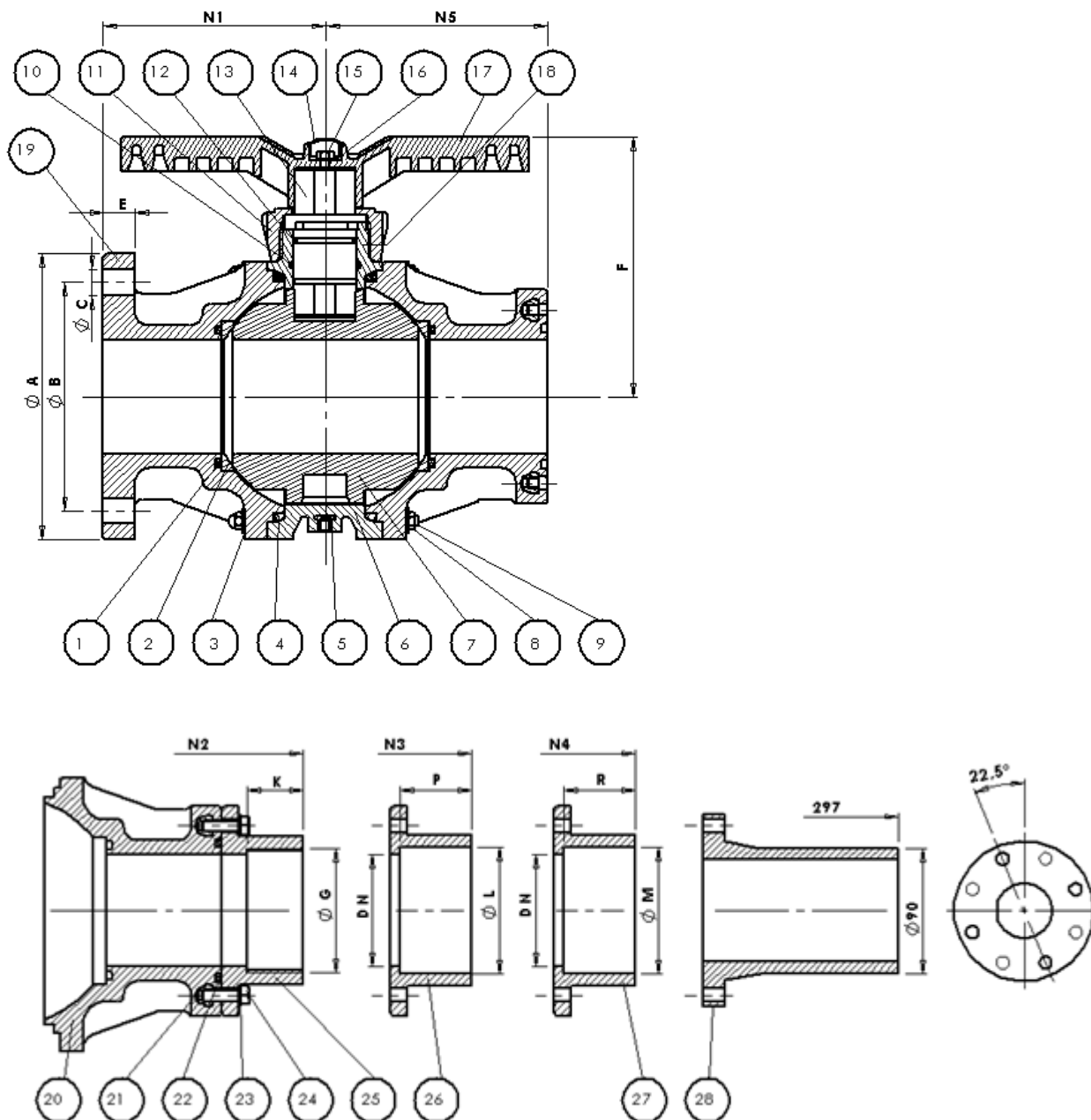
SAFI Fabrica de Valvulas

C/ Carboners, 35
Pol. Ind. La Cometa
43700 EL VENDRELL
TARRAGONA-ESPAÑA
Tel.: (+34) 977 665 147
Fax : (+34) 977 664 989
info@safi-valvulas.com

SAFI America

Las Garzas Trade Center
Las Garzas #950, B
Quilicura
SANTIAGO – CHILE
Tél.: (+56 2) 2 510 3500
Fax : (+56 2) 2 510 3507
info@safi-america.com

DIMENSIONS

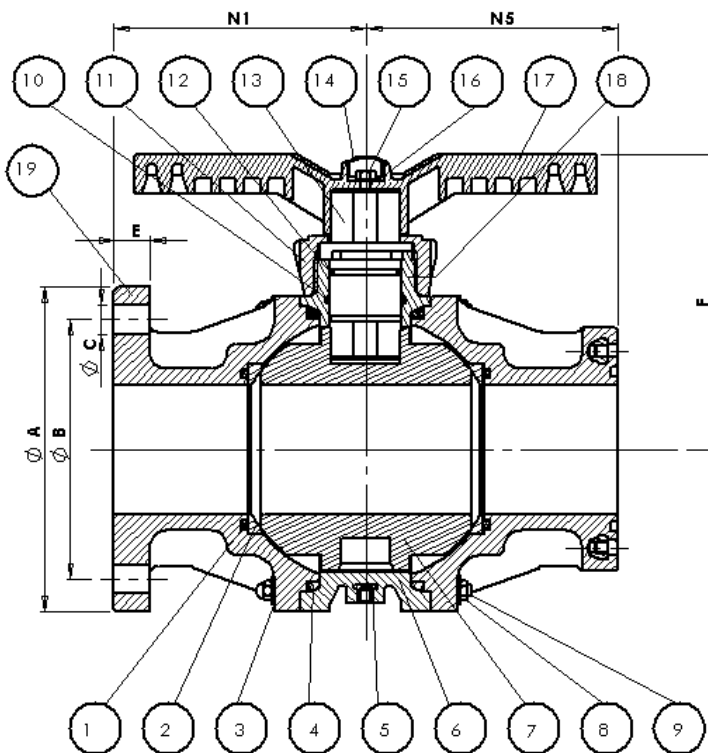


		ØA		ØB		ØC														WEIGHT (KG)	
DN	DIN	ANSI	DIN	ANSI	DIN	ANSI	E	F	G	K	L	M	N1	N2	N3	N4	N5	P	R	With 2 Flanges	With 2 Fittings
80	200	184	160	152	18x8	19x8	22	180	3" GAZ	40	90,3	88	155	213	215	215	159	52	50	5,5	5,7

DIN = Drilling in accordance with EN 1092-1 PN10/PN16

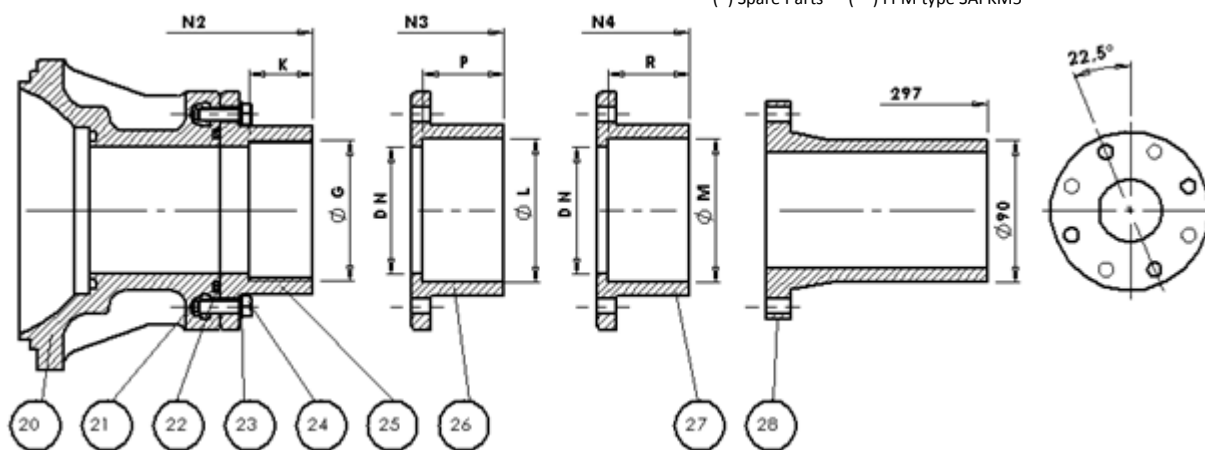
ANSI = Drilling in accordance with EN1759-1/ASME B16.5 Class 150

PARTS LIST



N°	QTY	DESCRIPTION	MATERIAL
1*	2	O-RING	EPDM/FPM**
2*	2	SEAT	PTFE
3	16	WASHER L6	SS 316
4*	2	O-RING	EPDM/FPM**
5	1	FIXING INSERT	SS 303
6	1	BODY	PPGF
7*	1	BALL	PPGF
8	8	CAP NUT M6	SS 316
	8	NUT HU M6	SS 316
9	8	THREADED ROD M6	SS 316
10*	1	O-RING	EPDM/FPM**
11	1	NUT	PPGF
12*	1	SPINDLE O-RING	EPDM/FPM**
13*	1	SPINDLE	PPGF
14	1	CAP	PE
15	1	SCREW TH M6x20	SS 316
16	1	WASHER Z6	SS 316
17	1	HANDLE	PPGF
18	1	SET SCREW	SS 316
19	2	FLANGE	PPGF

(*) Spare Parts (**) FPM type SAFKM5



N°	QTY	DESCRIPTION	MATERIAL
20	1	SIMPLE END	PPGF
21	6	MOULDED NUT	SS 316
22	1	O-RING	EPDM/FPM**
23	6	WASHER Z8	SS 316
24	6	SCREW TCHC M8x25	SS 316
25	1	THREADED SOCKET	PPGF
26	1	METRIC SOCKET	PVC-U/ABS
27	1	METRIC SOCKET	PP-H/PEHD
28	1	METRIC SPIGOT	PP-H/PEHD

(*) Spare Parts (**) FPM type SAFKM5

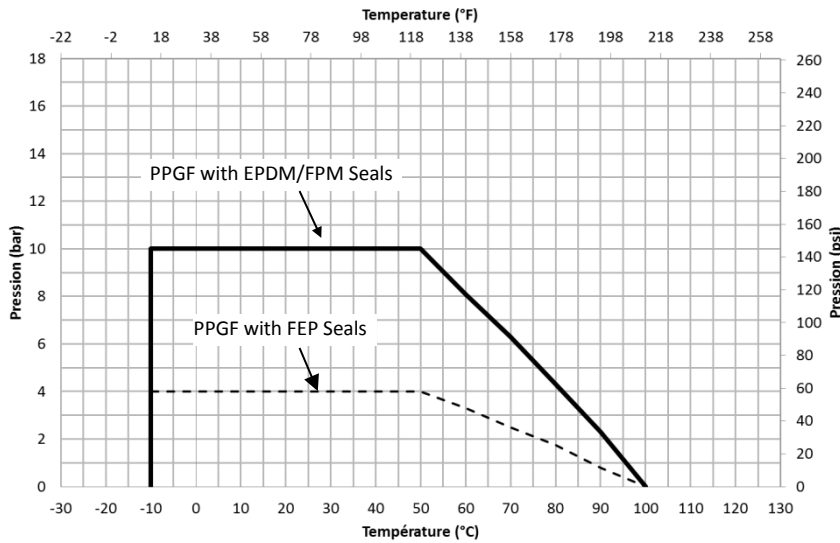
DIN = Drilling in accordance with EN 1092-1 PN10/PN16

ANSI = Drilling in accordance with EN1759-1/ASME B16.5 Class 150

Les descriptions et caractéristiques figurant sur ce document sont données uniquement à titre d'information et non d'engagement contractuel. SAFi se réserve le droit d'effectuer sans préavis, toute modification.
SAFi has a policy of continuously developing its product range and the above data is subject to change without prior notification.

Die Beschreibungen und Daten, die sich auf diesem Dokument befinden, sind rein informativ und unverbindlich. SAFi behält sich vor, ohne Vorankündigung Änderungen vorzunehmen, die als technisch notwendig erachtet werden.
Las descripciones y características que figuran en este documento son indicativas. En ningún caso son contractuales. SAFi se reserva el derecho sin previo aviso de efectuar cualquier modificación.

PRESSURE / TEMPERATURE CURVES



PPGF

Pressure /Temperature Summary

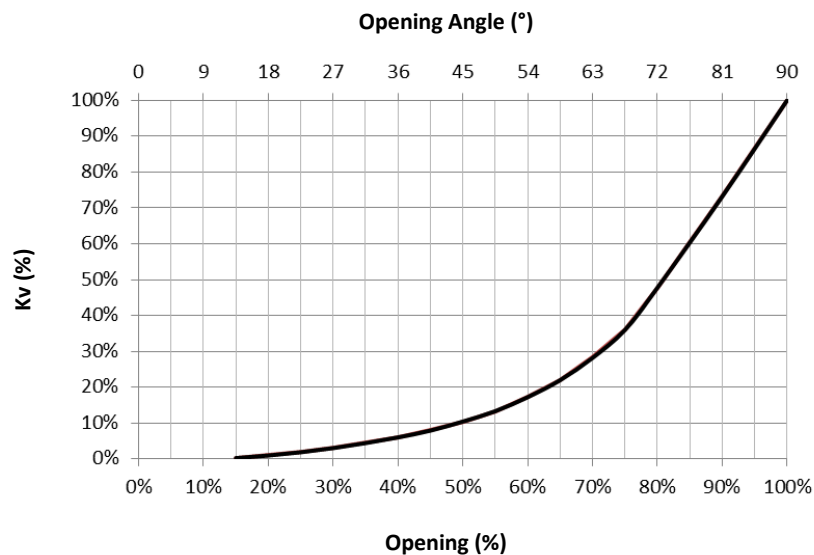
Type of Seals	Working Pressure	Working Temperature
		PPGF
EPDM / FPM	10 bars at 20°C	- 10°C to +100°C
FEP	4 bars at 20°C	- 10°C to +100°C

The mechanical characteristics of the FPM and FFPM seals subjected to an ambient temperature below -5°C require the implementation of proper insulation on the valves equipped with such seals. Contact us for more information.

PRESSURE LOSS

DN	Kv (m ³ /h)
80	410,8

Kv defined according to NF EN 1267



Our valves are guaranteed for an average fluid velocity in the pipeline of ≤ 2 m/s. Please contact us with the working conditions for any higher speed.

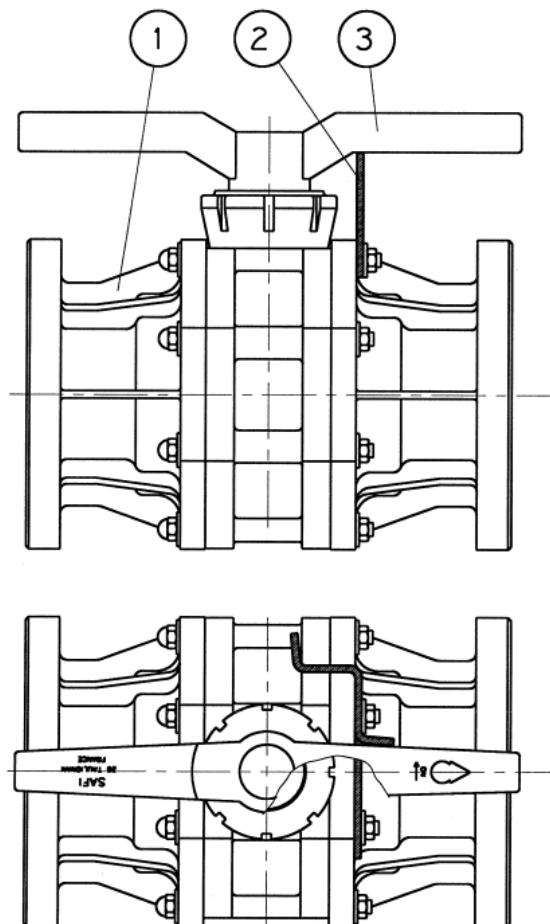
CHEMICAL RESISTANCE

The chemical resistance of the valve is subject to the type of fluid, the temperature, the pressure, as well as the materials and seals of the valve.

Please contact us to have a personalized analysis of the resistance of one of our products to a given fluid

You can also consult, for information only, the table given in ISO 10358. However, this table cannot be considered as a recommendation by SAFI who could not be held liable for the use of this document.

OPTION: LOCKING SYSTEM



N°	QTY	Description	Material	Product Code
1	1	DN80 Ball Valve	PPGF	1003-33
2	1	Handle Stop	SS 304	1102-06K
3	1	Handle	PPGF	-

OTHER AVAILABLE OPTIONS

- . Manual Operation with Spring Return
- . Extended Stem
- . Thermal Insulation Extension
- . Limit Switch Box

Contact us, for more information on the Available Options.

DETERMINING A PRODUCT CODE

TYPE	SPECIFICATION	DN	Fitting (Inlet)	Fitting (Outlet)	SEALS
1003 = PPGF Ball Valve	- = Standard	33 = DN80	A : BSP Threaded Socket C : PP-H Metric Socket U : PE-100 Metric Socket F : Flanges with drilling in accordance with EN 1092-1 PN10/PN16 (DIN) G : Flanges with drilling in accordance with EN1759-1/ASME B16.5 Class 150 (ANSI)	A : BSP Threaded Socket C : PP-H Metric Socket U : PE-100 Metric Socket F : Flanges with drilling in accordance with EN 1092-1 PN10/PN16 (DIN) G : Flanges with drilling in accordance with EN1759-1/ASME B16.5 Class 150 (ANSI)	E = EPDM V = FPM (type SAFKM5)

Example: 1003-33FFE

1003	-	33	F	F	E
PPGF Ball Valve	Standard	DN80	Flanges with drilling in accordance with EN 1092-1 PN10/PN16 (DIN)	Flanges with drilling in accordance with EN 1092-1 PN10/PN16 (DIN)	EPDM Seals

Example: 1003-33AFV

1003	-	33	A	F	V
PPGF Ball Valve	Standard	DN80	BSP Threaded Socket	Flanges with drilling in accordance with EN 1092-1 PN10/PN16 (DIN)	FPM Seals