

BALL VALVE - COMPACT - 2 VOIES - DN15 (1/2") TO DN50 (2") – PVC-U



DN15 – PVC-U

MAIN FEATURES

- Full Bore.
- Reduced size.

Les descriptions et caractéristiques figurant sur ce document sont données uniquement à titre d'information et non d'engagement contractuel. SAFI se réserve le droit d'effectuer sans préavis, toute modification.

SAFI has a policy of continuously developing its product range and the above data is subject to change without prior notification.

Die Beschreibungen und Daten, die sich auf diesem Dokument befinden, sind rein informativ und unverbindlich. SAFI behält sich vor, ohne Vorankündigung Änderungen vorzunehmen, die als technisch notwendig erachtet werden.

Las descripciones y características que figuran en este documento son indicativas. En ningún caso son contractuales. SAFI se reserva el derecho sin previo aviso de efectuar cualquier modificación.

SAFI

Av. Jacques Moison – BP 1
26770 TAULIGNAN
FRANCE
Tél.: (+33) 4 75 53 56 29
Fax : (+33) 4 75 53 62 78
info@safi-valves.com

SAFI Limited

35 Holton Road
Holton Heath Trading Park
POOLE Dorset - BH16 6LT
UNITED KINGDOM
Tél.: (+44) 1202 624618
Fax : (+44) 1202 628500
sales@safi-valves.com

SAFI Deutschland

Kunststoffarmaturen
Vertriebs GmbH
Jahnstrasse 29
64319 PFUNGSTADT
DEUTSCHLAND
Tél. : (+49) 61 57 81 919
Fax : (+49) 61 57 82 025
info-deutschland@safi-valves.com

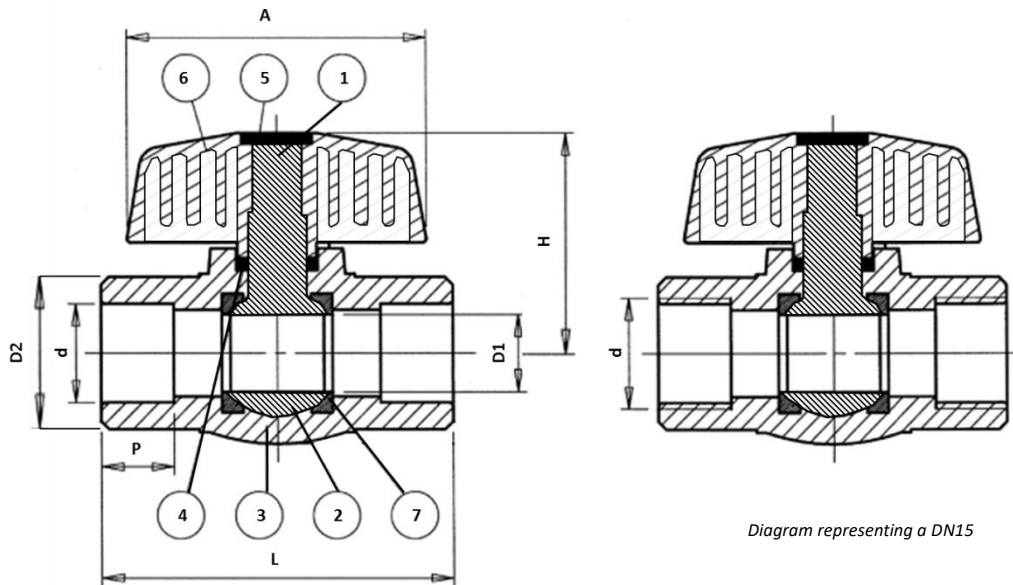
SAFI Fabrica de Valvulas

C/ Carboners, 35
Pol. Ind. La Cometa
43700 EL VENDRELL
TARRAGONA-ESPAÑA
Tel.: (+34) 977 665 147
Fax : (+34) 977 664 989
info@safi-valvulas.com

SAFI America

Las Garzas Trade Center
Las Garzas #950, B
Quilicura
SANTIAGO – CHILE
Tél.: (+56 2) 2 510 3500
Fax : (+56 2) 2 510 3507
info@safi-america.com

DIMENSIONS



DN	ANSI (inches)								DIN (mm)							
	D1	d		P	L	D2	H	A	D1	d		P	L	D2	H	A
		Metric Sockets	Threaded							Metric Sockets	Threaded					
15	0.591	0.840	NPT1-1/2	0,866	2,933	1.141	1.850	2.756	15	20	R1/2	22	74,5	29	47	70
20	0.787	1.050	NPT3/4	0,866	3,228	1.427	2.244	3.031	20	25	R3/4	22	82	36.5	57	77
25	0.984	1.315	NPT1	0,944	3,814	1.627	2.402	3,504	25	32	R1	24	96,9	43	61	89
32	1,26	1,66	NPT1-1/4	1,141	4,318	2,086	2,598	3,504	32	40	R1-1/4	29	109,7	53	66	89
40	1.535	1.900	NPT1-1/2	1,161	4,842	2.401	2.913	4.370	39	50	R1-1/2	29,5	123	61	74	111
50	1,969	2.375	NPT2	1,287	5,503	2,874	3.150	5.472	50	63	R2	32,7	139,8	73	80	139

Les descriptions et caractéristiques figurant sur ce document sont données uniquement à titre d'information et non d'engagement contractuel. SAFI se réserve le droit d'effectuer sans préavis, toute modification.
SAFI has a policy of continuously developing its product range and the above data is subject to change without prior notification.

Die Beschreibungen und Daten, die sich auf diesem Dokument befinden, sind rein informativ und unverbindlich. SAFI behält sich vor, ohne Vorankündigung Änderungen vorzunehmen, die als technisch notwendig erachtet werden.
Las descripciones y características que figuran en este documento son indicativas. En ningún caso son contractuales. SAFI se reserva el derecho sin previo aviso de efectuar cualquier modificación.

PARTS LIST

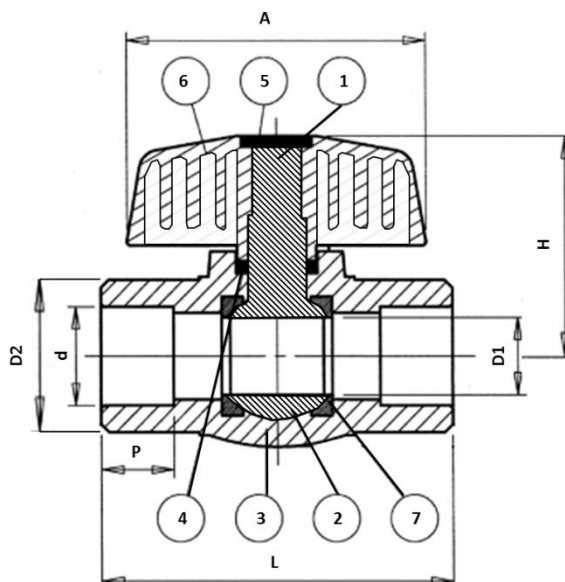
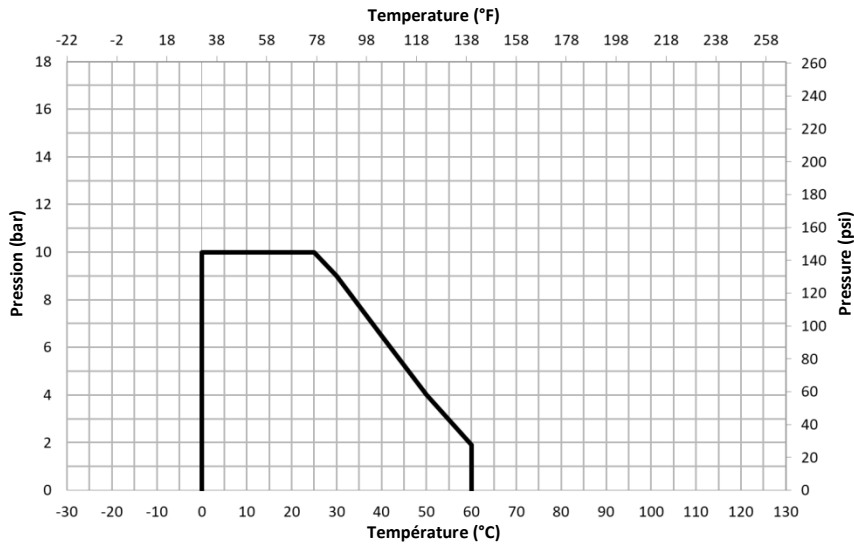


Diagram representing a DN15

N°	Qty	DESCRIPTION	MATERIAL
1	1	Spindle	PVC-U
2	1	Ball	PVC-U
3	1	Body	PVC-U
4	1	O'ring	EPDM
5	1	Cap	ABS
6	1	Handle	ABS
7	2	Seat	PTFE

PRESSURE / TEMPERATURE CURVES



PVC-U

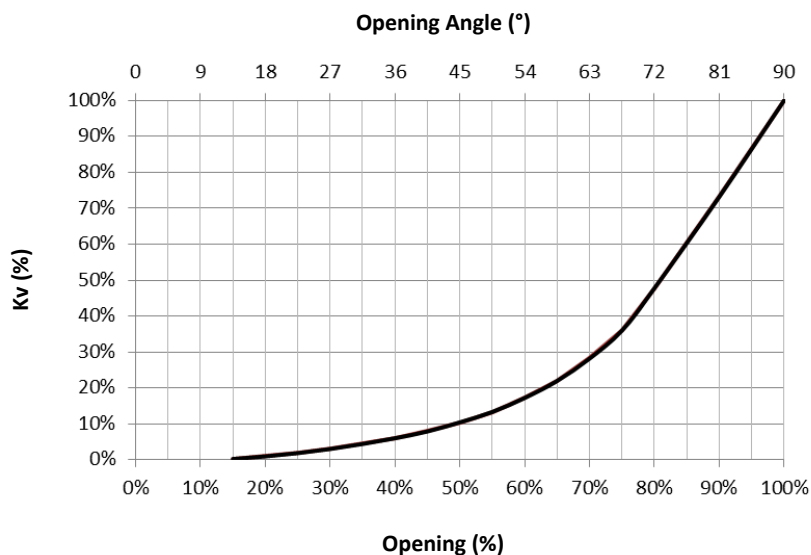
Pressure/Temperature Summary

Type of Seals	Working pressure	Working Temperature
		PVC-U
EPDM	10 bars at 20°C	-0°C to +60°C

PRESSURE LOSS

DN	Kv (m ³ /h)
10	6,7
15	10,8
20	22,6
25	43,6
32	80,1
40	119,3
50	192,1

Kv defined according to NF EN 1267



Our valves are guaranteed for an average fluid velocity in the pipeline of ≤ 2 m/s. Please contact us with the working conditions for any higher speed.

CHEMICAL RESISTANCE

The chemical resistance of the valve is subject to the type of fluid, the temperature, the pressure, as well as the materials and seals of the valve.

Please contact us to have a personalized analysis of the resistance of one of our products to a given fluid

You can also consult, for information only, the table given in ISO 10358. However, this table cannot be considered as a recommendation by SAFI who could not be held liable for the use of this document.

DETERMINING A PRODUCT CODE

TYPE	SPECIFICATION	DN	FITTINGS	SEALS
3000 = PVC-U Compact ball valve DN10 3001 = PVC-U Compact ball valve DN15 à DN50	- = Standard ball valve	99 = DN10 00 = DN15 01 = DN20 02 = DN25 03 = DN32 04 = DN40 05 = DN50	AA = BSP Threaded Socket BB = PVC-U Metric Sockets	E = EPDM

Exemple: 3000-99BBE

3000	-	99	BB	E
PVC-U compact Ball valve	Standard ball valve	DN10	PVC-U metric socket	EPDM

Exemple: 3001-05AAE

3001	-	05	AA	E
PVC-U compact Ball valve	Standard ball valve	DN50	BSP Threaded socket	EPDM