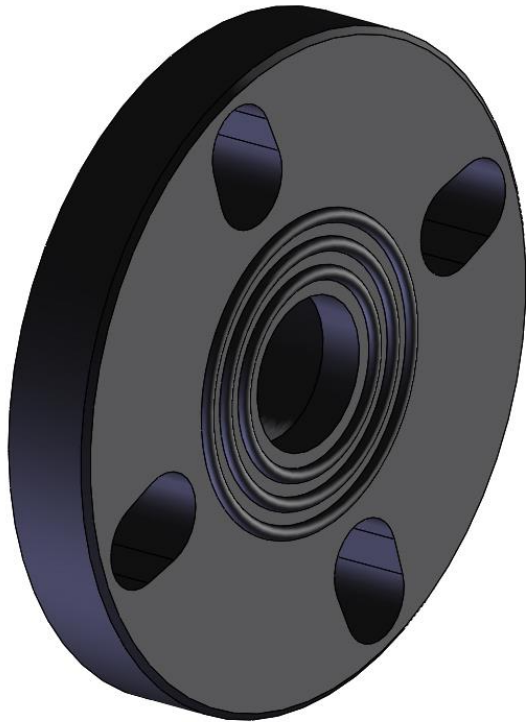
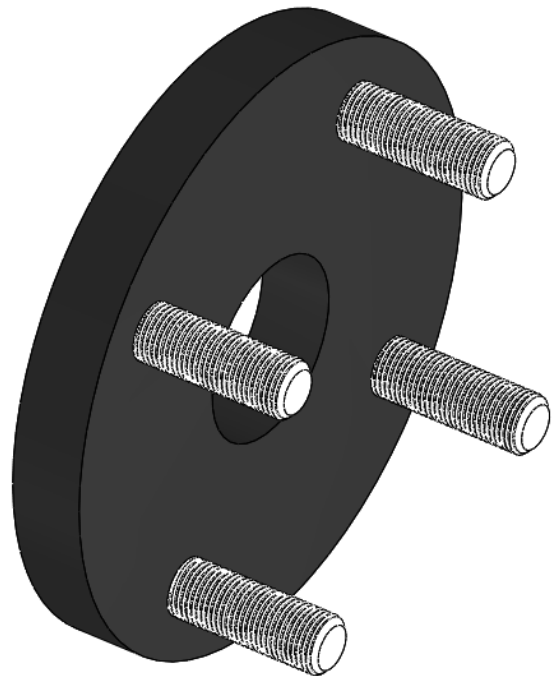


## THREADED FLANGE - DN15 (1/2") to DN50 (2") - PPGF

## COUNTER FLANGE - DN25 (1") to DN50 (2") - PPGF



Flange – DN25



Counter Flange – DN25

## MAIN FEATURES

- Multistandard flanges (DIN, ANSI, BS) in PPGF (Polypropylene reinforced with Glass Fibres) for an optimal mechanical and chemical resistance.

Les descriptions et caractéristiques figurant sur ce document sont données uniquement à titre d'information et non d'engagement contractuel. SAFI se réserve le droit d'effectuer sans préavis, toute modification.  
SAFI has a policy of continuously developing its product range and the above data is subject to change without prior notification.

Die Beschreibungen und Daten, die sich auf diesem Dokument befinden, sind rein informativ und unverbindlich. SAFI behält sich vor, ohne Vorankündigung Änderungen vorzunehmen, die als technisch notwendig erachtet werden.  
Las descripciones y características que figuran en este documento son indicativas. En ningún caso son contractuales. SAFI se reserva el derecho sin previo aviso de efectuar cualquier modificación.

### SAFI

Av. Jacques Moison – BP 1  
26770 TAULIGNAN  
FRANCE  
Tél.: (+33) 4 75 53 56 29  
Fax : (+33) 4 75 53 62 78  
info@safi-valves.com

### SAFI Limited

35 Holton Road  
Holton Heath Trading Park  
POOLE Dorset - BH16 6LT  
UNITED KINGDOM  
Tél.: (+44) 1202 624618  
Fax : (+44) 1202 628500  
sales@safi-valves.com

### SAFI Deutschland

Kunststoffarmaturen  
Vertriebs GmbH  
Jahnstrasse 29  
64319 PFUNGSTADT  
DEUTSCHLAND  
Tél. : (+49) 61 57 81 919  
Fax : (+49) 61 57 82 025  
info-deutschland@safi-valves.com

### SAFI Fabrica de Valvulas

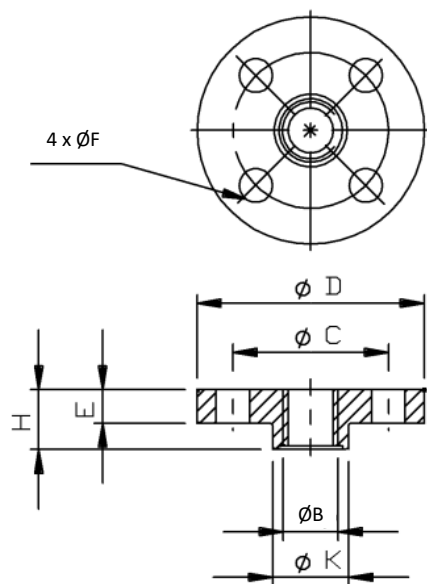
C/ Carboners, 35  
Pol. Ind. La Cometa  
43700 EL VENDRELL  
TARRAGONA-ESPAÑA  
Tel.: (+34) 977 665 147  
Fax : (+34) 977 664 989  
info@safi-valvulas.com

### SAFI America

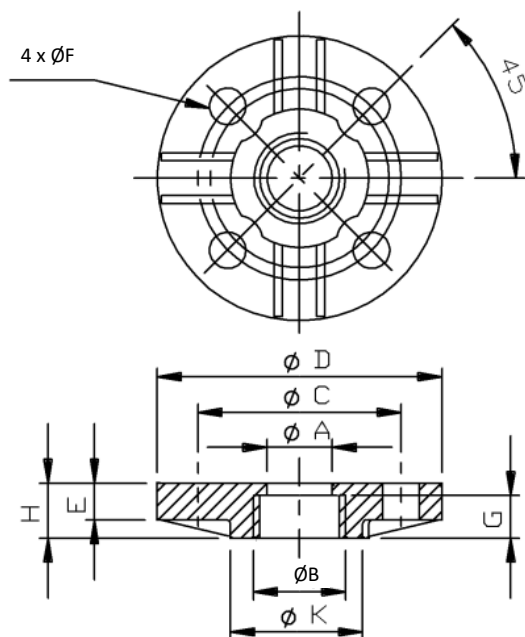
Las Garzas Trade Center  
Las Garzas #950, B  
Quilicura  
SANTIAGO – CHILE  
Tél.: (+56 2) 2 510 3500  
Fax : (+56 2) 2 510 3507  
info@safi-america.com

# Flanges

DN15 - DN20



DN25 => DN50

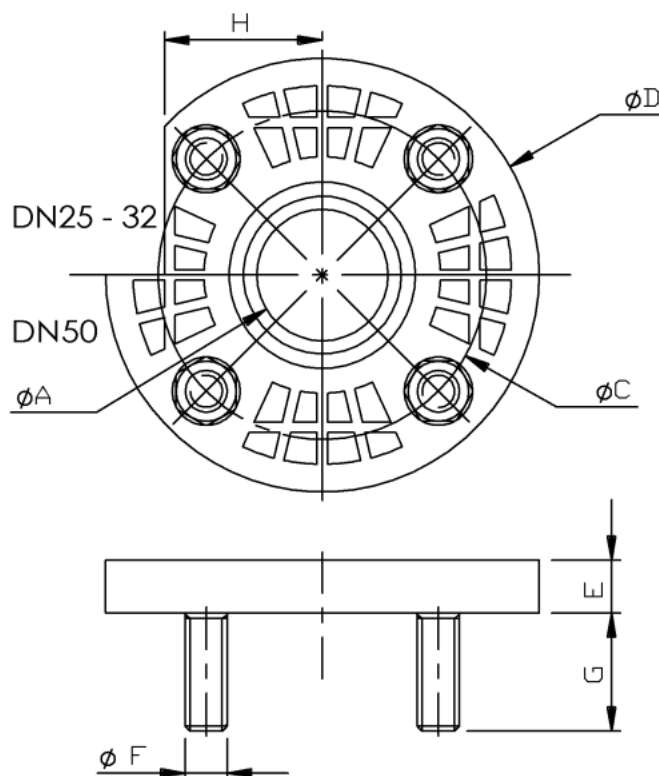


DN	ØA	ØB (GAS)	ØC			ØD	E	ØF			G	H	ØK	MATERIAL	PRODUCT CODE		
			DIN	ANSI	BS			DIN	ANSI	BS					DIN	ANSI	BS
15	19	1/2"	65	60	-	95	14	14	16	-	25	25	27	PPGF	2003-00K	2003-00W	-
20	24	3/4"	75	70	-	105	15	14	16	-	26	26	30	PPGF	2003-01K	2003-01W	-
25	26	3/4"	85	79.5	82	115	16	14	16	14	13	22.5	60	PPGF	1003-02J	2003-02N	1003-02V
25	26	1"	85	79.5	82	115	16	14	16	14	13	22.5	60	PPGF	2042-020 (*)		
32	33	1" 1/4	100	89	87.3	140	18	18	16	14	20	27.5	68	PPGF	2042-030 (*)		
40	40	1" 1/2	110	98.4	98.4	150	18	18	16	14	22	32	81	PPGF	2042-040 (*)		
50	51	2"	125	120.6	114.3	165	20	18	19	18	26	43	93	PPGF	2042-050 (*)		

DIN = Drilling in accordance with EN 1092-1 PN10/PN - ANSI = Drilling in accordance with EN1759-1/ASME B16.5 Class 150 BS = Drilling in accordance with BS10-Table D

(\*) : The flanges DN25 to 50 have the same reference in DIN, ANSI and BS. They are delivered with oval holes corresponding to the 3 standards. For the Flat Gaskets, Consult the product sheet TDS-SEAL-2021.

## Counter Flanges



DN ØA	ØC	ØD	E	ØF	G	H	PRODUCT CODE		
							COUNTER FLANGE	COUNTER FLANGE + NUTS + WASHERS	EPDM SEAL
25	85	140	20	M12	45	52	1005-94B	1005-94BB	2003-02J
32	100	140	20	M16	45	52	1005-37B	1005-37BB	1003-03J
50	125	165	20	M16	45	-	1005-36C	1005-36CC	1003-05J
50	125	165	20	M16	60	-	1005-36D	1005-36DD	1003-05J

Material : the counter flange is in Polypropylene reinforced with Glass Fibres, the screws, nuts and washers are in Stainless Steel 304.