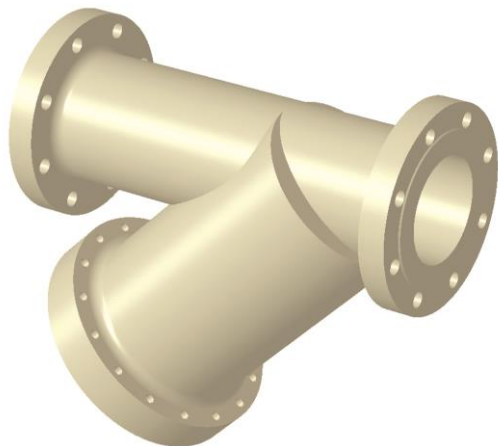
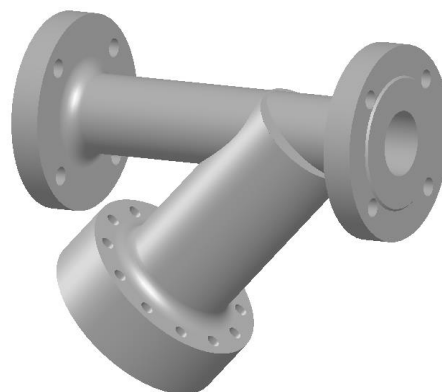


## Y STRAINER - 2 WAY – FLANGED VERSION - DN65 (2" 1/2) to DN150 (6") in PVC-U DN65 (2"1/2) to DN125 (5") in PVDF – DN65 (2" 1/2) to DN250 (10") in PP-H

Conform to the 2014/68/EU Directive



DN250 – PP-H



DN65 – PVC-U

## MAIN FEATURES

- Machine-Welded Strainer.
- 2 mm mesh in ETFE.
- Bigger Dimensions Available : Consult us.

Les descriptions et caractéristiques figurant sur ce document sont données uniquement à titre d'information et non d'engagement contractuel. SAFI se réserve le droit d'effectuer sans préavis, toute modification.  
SAFI has a policy of continuously developing its product range and the above data is subject to change without prior notification.

Die Beschreibungen und Daten, die sich auf diesem Dokument befinden, sind rein informativ und unverbindlich. SAFI behält sich vor, ohne Vorankündigung Änderungen vorzunehmen, die als technisch notwendig erachtet werden.  
Las descripciones y características que figuran en este documento son indicativas. En ningún caso son contractuales. SAFI se reserva el derecho sin previo aviso de efectuar cualquier modificación.

### SAFI

Av. Jacques Moison – BP 1  
26770 TAULIGNAN  
FRANCE  
Tél.: (+33) 4 75 53 56 29  
Fax : (+33) 4 75 53 62 78  
info@safi-valves.com

### SAFI Limited

35 Holton Road  
Holton Heath Trading Park  
POOLE Dorset - BH16 6LT  
UNITED KINGDOM  
Tél.: (+44) 1202 624618  
Fax : (+44) 1202 628500  
sales@safi-valves.com

### SAFI Deutschland

Kunststoffarmaturen  
Vertriebs GmbH  
Jahnstrasse 29  
64319 PFUNGSTADT  
DEUTSCHLAND  
Tél. : (+49) 61 57 81 919  
Fax : (+49) 61 57 82 025  
info-deutschland@safi-valves.com

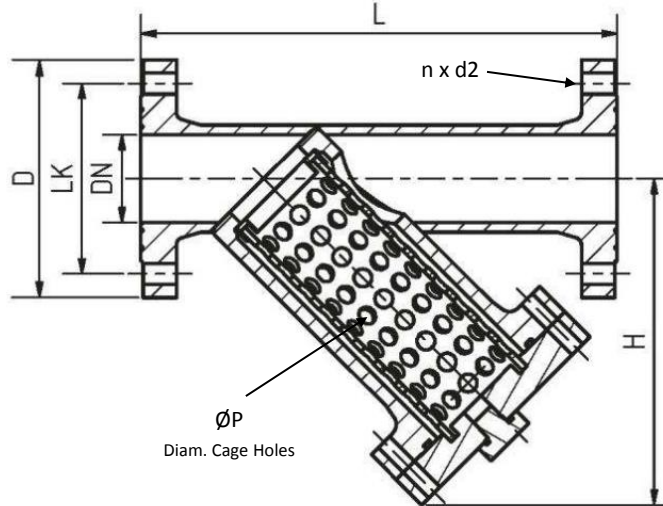
### SAFI Fabrica de Valvulas

C/ Carboners, 35  
Pol. Ind. La Cometa  
43700 EL VENDRELL  
TARRAGONA-ESPAÑA  
Tel.: (+34) 977 665 147  
Fax : (+34) 977 664 989  
info@safi-valvulas.com

### SAFI America

Las Garzas Trade Center  
Las Garzas #950, B  
Quilicura  
SANTIAGO – CHILE  
Tél.: (+56 2) 2 510 3500  
Fax : (+56 2) 2 510 3507  
info@safi-america.com

## DIMENSIONS



			Dimensions								
d	DN	DN	L	H	LK		D		n x d2		ØP
mm	mm	inch			(DIN) mm	(ANSI) mm	(DIN) mm	(ANSI) mm	(DIN) mm	(ANSI) mm	
75	65	2 1/2"	370	260	145	139,7	185	180	4xØ18	4xØ19	13
90	80	3"	410	275	160	152,4	200	190	8xØ18	4xØ19	15
110	100	4"	490	325	180	190,5	220	230	8xØ18	8xØ19	14
140	125	5"	550	380	210	215,9	250	255	8xØ18	8xØ22,2	18
160	150	6"	600	430	240	241,3	285	280	8xØ22	8xØ22,2	18
225	200	8"	700	550	295	298,5	340	345	8xØ22	8xØ22,2	20
280	250	10"	820	620	350	362,0	395	405	12xØ22	12xØ25,4	20
315	300	12"	950	780	400	431,8	445	485	12xØ22	12xØ25,4	20
355	350	14"	1020	850	460	476,3	505	535	16xØ22	12xØ28,6	20
400	400	16"	1120	950	515	539,8	565	595	16xØ26	16xØ28,6	20
500	500	20"	1380	1050	620	635,0	670	700	20xØ26	20xØ31,8	20

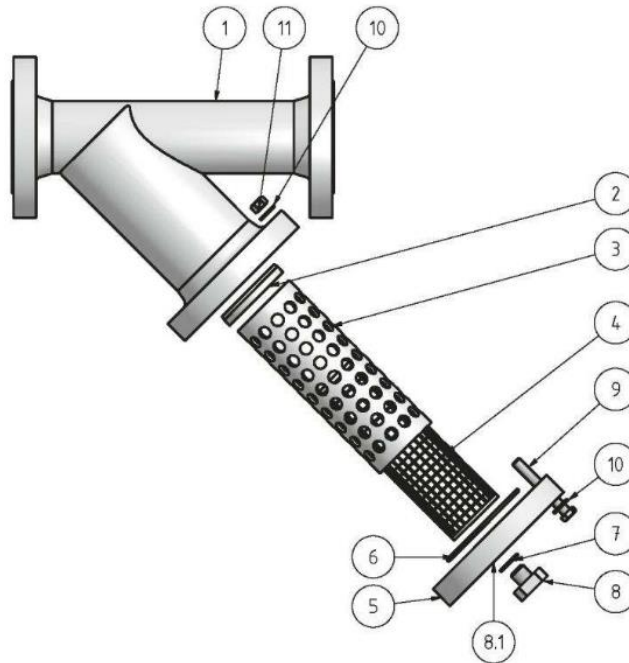
DIN = Flange with drilling in accordance with EN 1092-1 PN10/PN16 (DIN)

ANSI = Flange with drilling in accordance with EN1759-1/ASME B16.5 Class 150 (ANSI)

d	DN	DN	Weight (kg)		
			PP-H	PVC-U	PVDF
75	65	2 1/2"	5	7.8	7
90	80	3"	6.5	10	8,7
110	100	4"	8	12.5	16
140	125	5"	13	20	25
160	150	6"	17	26.5	*
225	200	8"	24	*	*
280	250	10"	30	*	*

(\*) > DN250 = Upon Request

## PARTS LIST

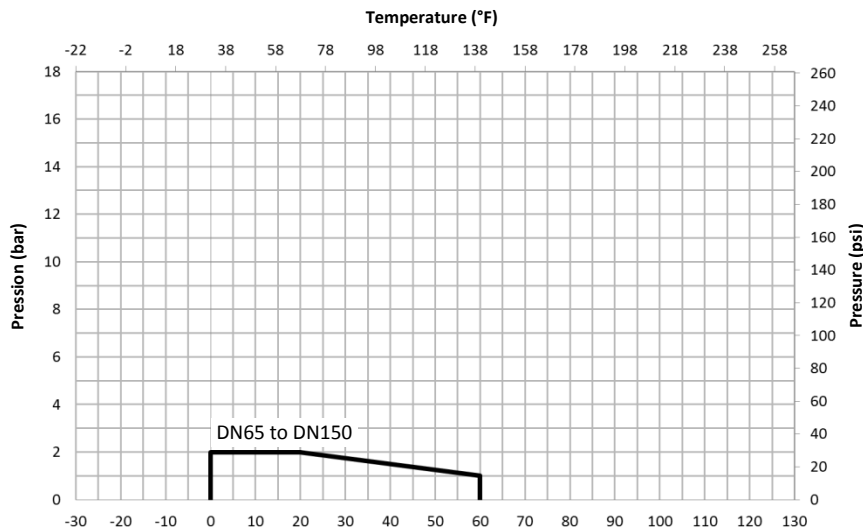


N°	Description	Material
1	Body	PVC-U, PP-H, PVDF
2	Holder	PVC-U, PP-H, PVDF
3	Cage	PVC-U, PP-H, PVDF
4	Sieve Mesh 2mm	ETFE
5	Cover	PVC-U, PP-H, PVDF
6	Seal	EPDM, FPM
7	Seal	EPDM, FPM
8	Plug	PVC-U, PP-H, PVDF
8.1	Available with a drain Valve	PVC-U, PP-H, PVDF
9	Screw	Inox 304
10	Washer	Inox 304
11	Nut	Inox 304

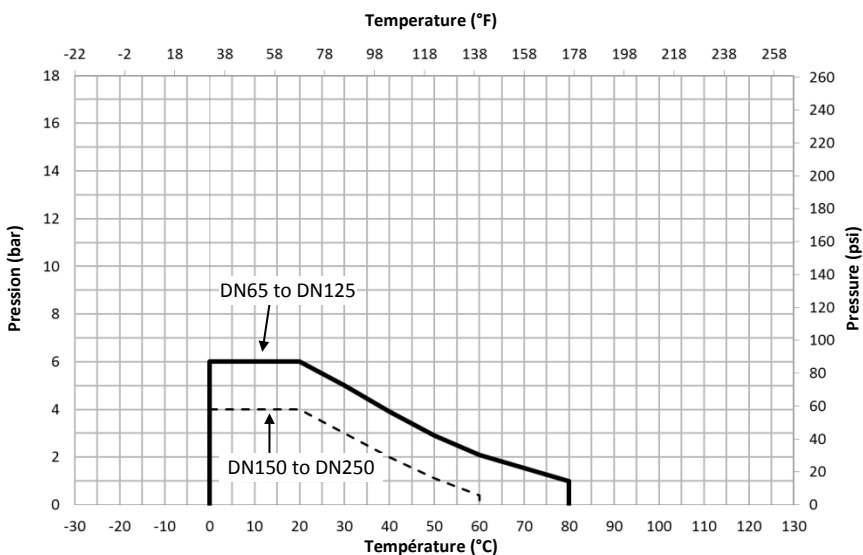
### Drilling of Cage:

- DN65 : Ø13 mm holes
- DN80 : Ø15 mm holes
- DN100 : Ø14 mm holes
- DN125 : Ø18 mm holes
- DN150 : Ø18 mm holes
- DN200 : Ø20 mm holes
- DN250 : Ø20 mm holes

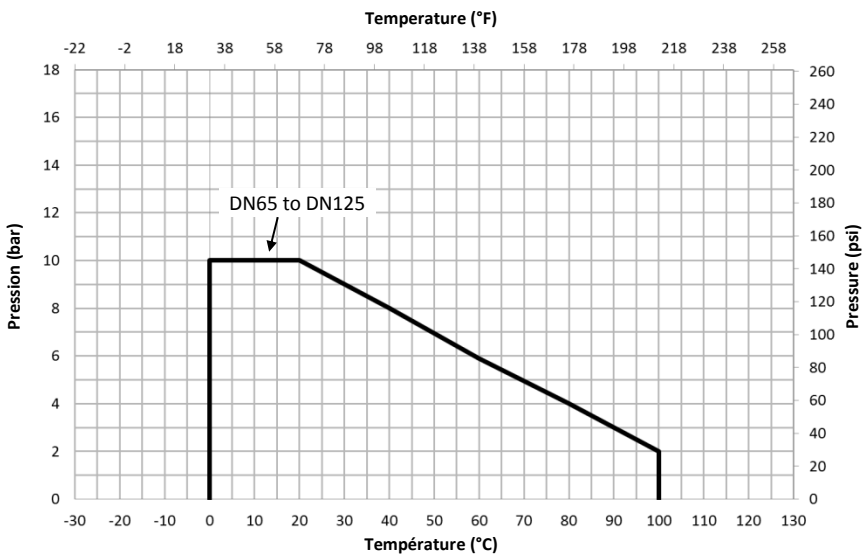
# PRESSURE / TEMPERATURE CURVES



PVC-U



PP-H



PVDF

Les descriptions et caractéristiques figurant sur ce document sont données uniquement à titre d'information et non d'engagement contractuel. SAFI se réserve le droit d'effectuer sans préavis, toute modification.

SAFI has a policy of continuously developing its product range and the above data is subject to change without prior notification.

Die Beschreibungen und Daten, die sich auf diesem Dokument befinden, sind rein informativ und unverbindlich. SAFI behält sich vor, ohne Vorankündigung Änderungen vorzunehmen, die als technisch notwendig erachtet werden.

Las descripciones y características que figuran en este documento son indicativas. En ningún caso son contractuales. SAFI se reserva el derecho sin previo aviso de efectuar cualquier modificación.

## Pressure/Temperature Summary

DN	WORKING PRESSURE (in bars at 20°C)		
	PVC-U	PP-H	PVDF
65 to 125	2	6	10
150	2	4	6
200 to 250	2	4	-

WORKING TEMPERATURE		
PVC-U	PP-H	PVDF
0°C to + 60°C	0°C to + 80°C	0°C to +100°C (DN65 to 125) 0°C to +80°C (DN150)

## PRESSURE LOSS

DN	Kv (m <sup>3</sup> /h)
65	30
80	60
100	96
125	180
150	270
200	600
250 to 500	Contact us

Pressure Loss given for a clean Strainer (absence of clogging, even partial or in-significant)

Our valves are guaranteed for an average fluid velocity in the pipeline of  $\leq 2$  m/s. Please contact us with the working conditions for any higher speed.

Kv defined according to NF EN 1267  
(2mm mesh)

## CHEMICAL RESISTANCE

The chemical resistance of the valve is subject to the type of fluid, the temperature, the pressure, as well as the materials and seals of the valve.

Please contact us to have a personalized analysis of the resistance of one of our products to a given fluid

You can also consult, for information only, the table given in ISO 10358. However, this table cannot be considered as a recommendation by SAFI who could not be held liable for the use of this document.

## DETERMINING A PRODUCT CODE

TYPE	SPECIFICATION	DN*	Fitting (Inlet)	Fitting (Outlet)	Seals	ETFE Mesh
4650 = PVC-U Y Strainer 4660 = PP-H Y Strainer 4670 = PVDF Y Strainer	- = Standard Z = Special	06 = DN65 07 = DN80 08 = DN100 09 = DN125 10 = DN150 11 = DN200 12 = DN250	F = Flange with drilling in accordance with EN 1092-1 PN10/PN16 (DIN)  G = Flange with drilling in accordance with EN1759-1/ASME B16.5 Class 150 (ANSI)	F = Flange with drilling in accordance with EN 1092-1 PN10/PN16 (DIN)  G = Flange with drilling in accordance with EN1759-1/ASME B16.5 Class 150 (ANSI)	E = EPDM V = FPM	<b>in Standard :</b> 20T = 2.0mm mesh  <b>Sur demande :</b> 025T = maille de 0.25mm 05T = maille de 0.5mm 10T = maille de 1.0mm

\*PVC-U =&gt; Available in DN65 to DN150

PVDF =&gt; Available in DN65 to DN125

PP-H =&gt; Available in DN65 to DN250

Example : 4660-07FFE20T

4660	-	07	F	F	E	20T
PP-H Y Strainer	Standard	DN80	Flange with drilling in accordance with EN 1092-1 PN10/PN16 (DIN)	Flange with drilling in accordance with EN 1092-1 PN10/PN16 (DIN)	EPDM Seals	2.0mm ETFE Standard Mesh