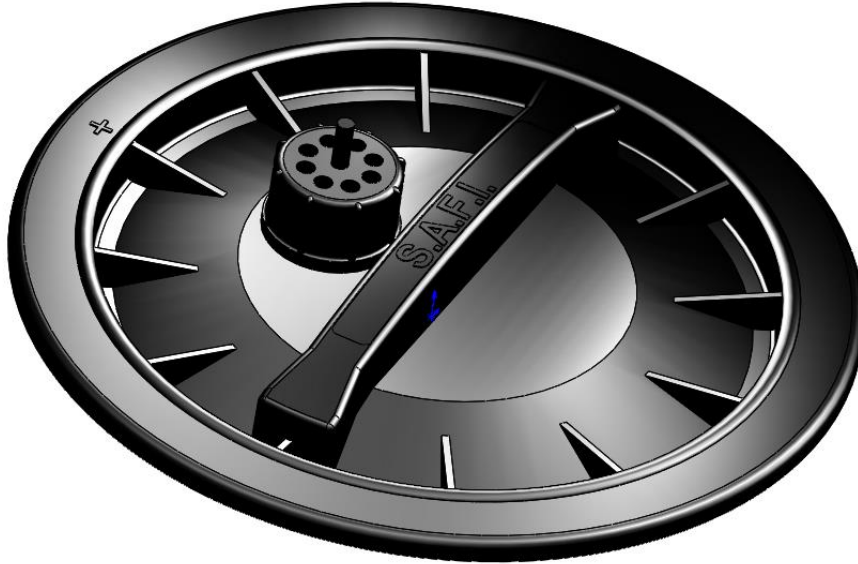


MANHOLE COVER AND COLLET FOR TANK – Ø270 & Ø400 mm – PE WITH OR WITHOUT A VENT



Lid Ø400 with 1 vent

MAIN FEATURES

- Manhole cover in PE for an optimal chemical resistance.
- The ventilation flue of the manhole cover is equipped with :
 - A tip and a diaphragm, allowing suction or the back flow of air avoiding liquid projections to the exterior.
 - A protective cover protecting against infiltration.
- The Ø400mm manhole cover can be delivered with or without a vent.
- Depending on the flow rate of the tank outlet orifice, it is possible to mount up to two vent valves (Contact us).

Les descriptions et caractéristiques figurant sur ce document sont données uniquement à titre d'information et non d'engagement contractuel. SAFI se réserve le droit d'effectuer sans préavis, toute modification.

SAFI has a policy of continuously developing its product range and the above date is subject to change without prior notification.

Die Beschreibungen und Daten, die sich auf diesem Dokument befinden, sind rein informativ und unverbindlich. SAFI behält sich vor, ohne Vorankündigung Änderungen vorzunehmen, die als technisch notwendig erachtet werden.

Las descripciones y características que figuran en este documento son indicativas. En ningún caso son contractuales. SAFI se reserva el derecho sin previo aviso de efectuar cualquier modificación.

SAFI

Av. Jacques Moison – BP 1
26770 TAULIGNAN
FRANCE
Tél.: (+33) 4 75 53 56 29
Fax : (+33) 4 75 53 62 78
info@safi-valves.com

SAFI Limited

35 Holton Road
Holton Heath Trading Park
POOLE Dorset - BH16 6LT
UNITED KINGDOM
Tél.: (+44) 1202 624618
Fax : (+44) 1202 628500
sales@safi-valves.com

SAFI Deutschland

Kunststoffarmaturen
Vertriebs GmbH
Jahnstrasse 29
64319 PFUNGSTADT
DEUTSCHLAND
Tél. : (+49) 61 57 81 919
Fax : (+49) 61 57 82 025
info-deutschland@safi-valves.com

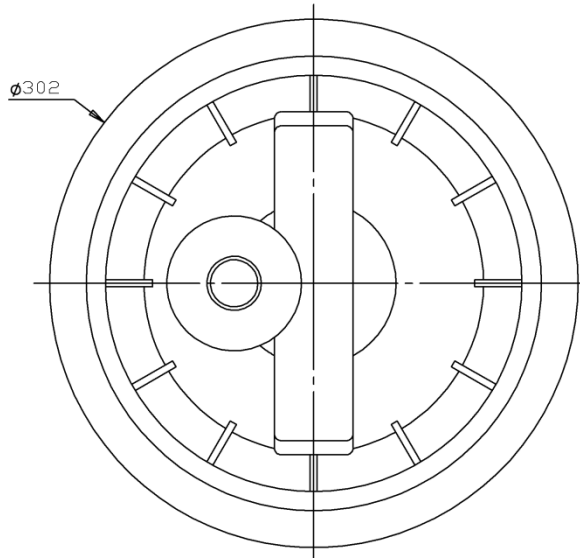
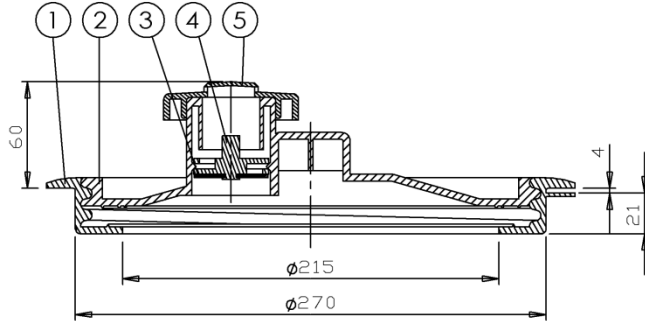
SAFI Fabrica de Valvulas

C/ Carboners, 35
Pol. Ind. La Cometa
43700 EL VENDRELL
TARRAGONA-ESPAÑA
Tel.: (+34) 977 665 147
Fax : (+34) 977 664 989
info@safi-valvulas.com

SAFI America

Las Garzas Trade Center
Las Garzas #950, B
Quilicura
SANTIAGO – CHILE
Tél.: (+56 2) 2 510 3500
Fax : (+56 2) 2 510 3507
info@safi-america.com

Ø270mm VERSION

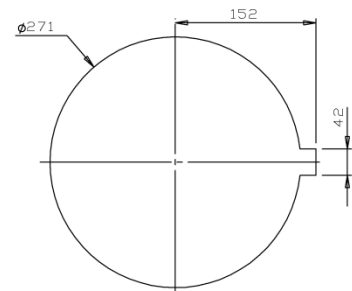


N°	QTY	DESCRIPTION	MATERIAL
1	1	Collet	PEBD
2	1	Manhole cover	PEBD
3	1	Diaphragm	EPDM
4	1	Tip	PEBD
5	1	Protective Cover	PEBD
6	2	Screw	SS 316

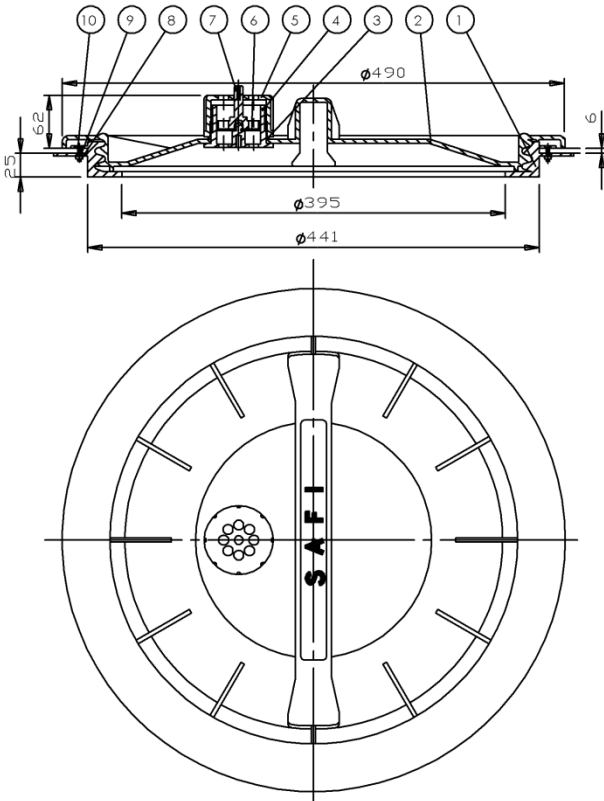
Manhole cover + collet supplied with screws and bolts.

Installation Recommendation

A cut in the tank according to the opposite diagram is recommended for the mounting of the collet. It will be held by 4 flexible legs and immobilized with bolts or a polyester resin.



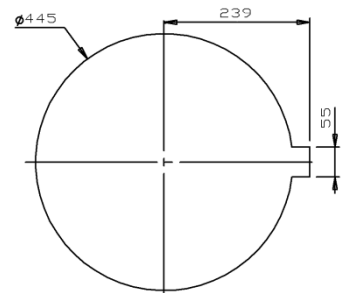
Ø400mm VERSION



N°	QTY	DESCRIPTION	MATERIAL
1	1	Collet	PE
2	1	Manhole cover	PE
3	1	O-Ring	EPDM
4	1	Vent body	PP-H
5	1	Vent Cap	PP-H
6	1	Diaphragm	EPDM
7	1	Tip	PP-H
8	4	Nut M5	SS 316
9	4	Washer AZ5	SS 316
10	4	Screw TF M5 x 25	SS 316

Installation Recommendation

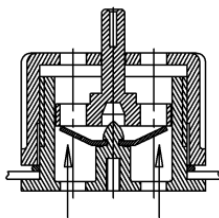
A cut in the tank according to the opposite diagram is recommended for the mounting of the collet which is held by 4 flexible legs and immobilized with stainless steel bolts that are supplied with the collet.



Important Note :

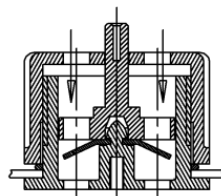
The valve shown here is not sealed to tank fumes or weather. Therefore it can be replaced by the vents in our product sheet n° TDS-VACU-6206.

Operation of the double effect vent (DE) :



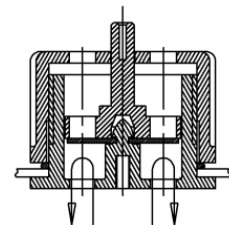
Pressure :

When filling the tank, the air is discharged.



Anti Pressure :

When emptying the tank, the air is aspirated.



Sealing :

When the liquid is moving in the tank, the diaphragm prevents outward projections.

DETERMINING A PRODUCT CODE

TYPE	SPECIFICATIONS
1002 = Manhole cover + collet PEBD	- 03 = Ø270 – Manhole cover WITH VENT , collet and screws - 14 = Ø400 – Manhole cover WITHOUT VENT , collet and screws - 16 = Ø400 – Manhole cover WITH VENT , collet and screws
2005 = Vent	- 01LDE/V = a Vacuum Breaker with EPDM(E) or FPM (V) seals - 01LPE/V = a Anti Pressure with EPDM(E) or FPM (V) seals - 01EP = Anti splash double effect with EPDM (EP) seals

For more information on the vent valves, see TDS-VACU-6206

Example : 1002-03

1002	- 03
Manhole cover + collet PEBD	Ø270 with vent

Exemple : 1002-16 + 2005-01LDE

1002-16	+	2005-01LDE
Manhole cover + collet PEBD Ø400 Cover with vent	+	Vacuum breaker vent with EPDM seals